

PRODUCT SHEET

LINK COLLECTION



MEDITATION BED
JUNPEI & IORI TAMAKI

snoc



LINK

MEDITATION BED

When designing Link Collection, Junpei & Iori Tamaki envisioned how multiple pieces placed together would create a link, and how that connection would evolve in various ways. To express Link Collection, Junpei & Iori Tamaki believed that a design with both simplicity and distinctive, memorable features was necessary. Bringing together the strength of wicker with the refined presence of leather.

It is a design that emphasizes the contrast between the parts wrapped with leather look wicker and those without, set against a simple frame structure. This contrast creates a beauty in the balance of roughness and refinement, allowing both impressive and distinctive design to coexist.

PRODUCT CODE

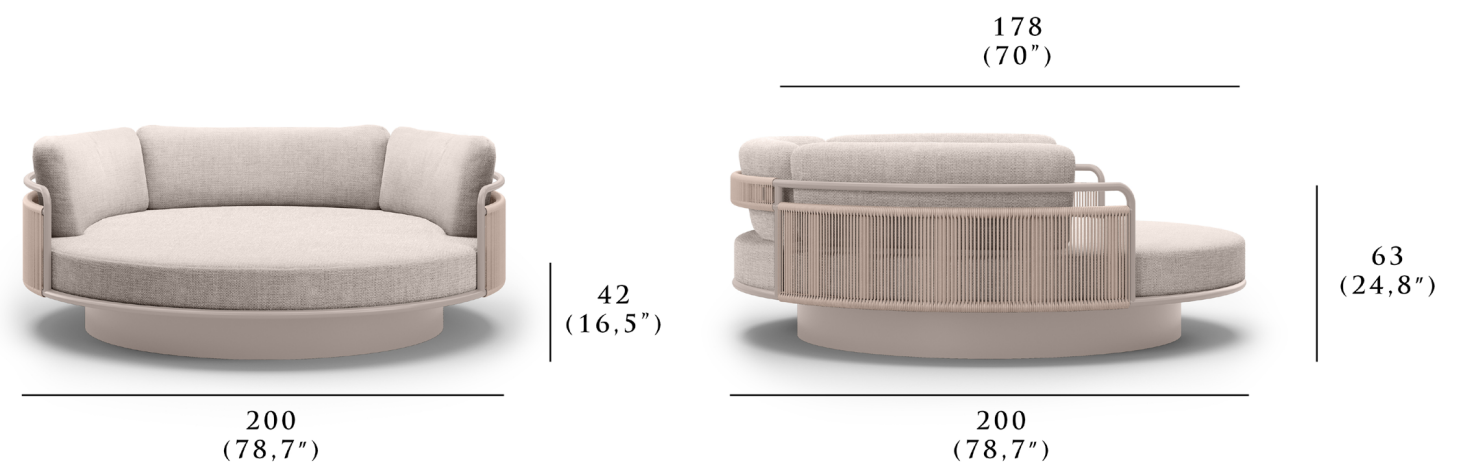
LIN-18-AL04-W02-LUM602 - Terra
 LIN-18-AL03-W01-LUM492 - Bisque

PRODUCT DETAILS

Produced from leather look wicker and powder coated aluminum suitable for outdoor conditions.

DIMENSIONS

Height: 63 cm | 24.8"
 Width: 200 cm | 78.7"
 Depth: 200 cm | 78.7"
 Seat Height: 42 cm | 16.5"
 Seat Depth: 178 cm | 70"
 Armrest Height: 63 cm | 24.8"
 Weight: 105 kg | 231.48 lbs





THE BEAUTY IN THE BALANCE OF ROUGHNESS AND REFINEMENT

STRUCTURE



ALUMINUM TERRA



ALUMINUM BISQUE

FABRIC OPTIONS



LUM254



LUM255



LUM492



LUM512



LUM602



LUM701



LUM711



LUM801



LUM802

MAINTENANCE

Please visit snoc-eu.com for maintenance & care instructions.



Made from FSC certified teak wood and other controlled materials.

snoc